

PU-515PL-RX New Product

HDMI over Single CAT5e/6/7 HDBase™ LITE Receiver with PoC and 2-Way IR (up to 60m)



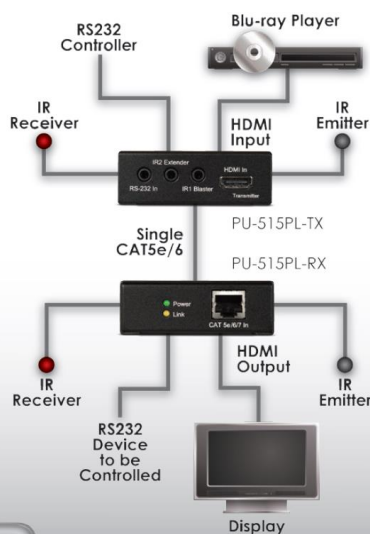
HDCP 2.2



The PU-515PL-KIT allows uncompressed HDMI signals to be transmitted over a Single CAT5e/6/7 cable. This solution has the added features of RS-232, 2-way IR control, and Power over Cable (PoC) functionality over the same CAT5e/6/7 cable. These combined HDMI and control signals can be transmitted up to lengths of 60 metres.

FEATURES

- HDCP 2.2 Compliant
- HDMI 1.4 with 3D, 4Kx2K support, HDCP and DVI compliant
- Supports HDMI 1.4 (including HDCP) over a single CAT5e/6/7 up to 60m
- Complies with HDBase™- Lite specifications
- Supports resolutions VGA~WUXGA, 480i~1080p, 4K UHD@24/25/30Hz (RGB 4:4:4 & YUV 4:2:2), 4K UHD@ 60Hz (YUV 4:2:0), 4K/2K@24/25/30Hz (RGB 4:4:4 & YUV 4:2:2) and 4K/2K@ 60Hz (YUV 4:2:0) dependent upon the output display's EDID settings
- HDMI input up to 15m with 8-bit deep colour, or 10m with 12-bit deep colour
- Supports HDMI output up to 15m with 8/12-bit deep colour
- Supports two-way IR, RS-232 Control, and Power Over Cable (PoC)
- Supports High Definition LPCM 7.1CH, Dolby TrueHD, Dolby Digital Plus and DTS-HD Master Audio transmission



SPECIFICATIONS

Inputs	1x RJ45 (1x HDMI & Propriety Data) 1x 3.5mm Stereo mini-jack (1x Infra Red Receiver)
Outputs	1x HDMI (1x HDMI Uncompressed AV & Data) 1x 3.5mm Stereo mini-jack (1x RS-232) 1x 3.5mm Stereo mini-jack (1x Infra Red Emitter)
Power:	Self-powering RX via PoE
Dimensions:	75mm (W) x 72mm (D) x 24mm (H)
Net Weight:	440g
Gross Weight:	510g
Packaging:	Boxed

